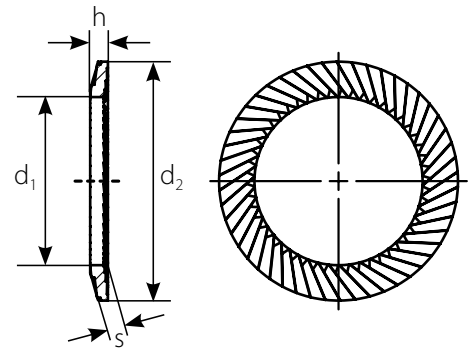


## Original SCHNORR® safety washers type „VS“

The Original SCHNORR® Safety Washer “VS” can be used with high-strength bolts of the grade 8.8 -10.9 without any restrictions. This extra strong safety washer has a greater thickness for higher pre-tensioning loads. The outside inside diameter as well and the serrations are the same as the “S” type. It can be delivered for screws M 5 t o M 30. Special sizes are also available upon request.

### Explanations on the table:

<b>Article no.:</b>	applies to the normal version made of spring steel, hardened, blackened; mechanically galvanized
<b>h max.:</b>	maximum dimension in delivery condition
<b>h min.:</b>	minimum dimension after load test
<b>Available material grades:</b>	spring steel acc. to DIN EN 10132-4; corrosion-resistant steel 1.4301; Phosphorus Bronze CuSn8; nickel cobalt alloy, creep-resistant steel 1.4122; Inconel
<b>Available surfaces:</b>	blackened (standard), bronzed, phosphated, galvanized, zinc lamellar coatings



### Designation of an original SCHNORR® safety washer type “VS”:

Size 16 made of spring steel, surface mechanically galvanized  
= safety washer VS 16 FSt. for 8 M + passivation

## Original SCHNORR® safety washers type “VS” material C60S (1.1211)

Article number/ Order reference	Finish	Size		Ordering dimensions					Packaging	
		Nominal size [mm]	[Inch]	d <sub>1</sub> [mm]	d <sub>2</sub> [mm]	s [mm]	h <sub>min.</sub> [mm]	h <sub>max.</sub> [mm]	Unit [pcs.]	Weight per 1000 pieces [kg]
414600 450650	blackened Zn8M + passivation	5	3/16"	5.3	9.0	0.9	0.95	1.3	1000	0.273
416400 450750	blackened Zn8M + passivation	6		6.4	10.0	0.9	0.95	1.4	1000	0.300
420 500 451 050	blackened Zn8M + passivation	8	5/16"	8.4	13.0	1.1	1.15	1.7	1000	0.615
423 100 451 150	blackened Zn8M + passivation	10	3/8"	10.5	16.0	1.4	1.50	2.0	1000	1.167
426 300 451 350	blackened Zn8M + passivation	12		13.0	18.0	1.4	1.55	2.1	500	1.223
429 200 451 550	blackened Zn8M + passivation	14		15.0	22.0	1.4	1.65	2.2	500	2.089
430 800 451 650	blackened Zn8M + passivation	16	5/8"	17.0	24.0	1.9	2.05	2.6	250	3.142
432 500 451 750	blackened Zn8M + passivation	18		19.0	27.0	1.9	2.15	2.7	250	4.041
435 300 451 950	blackened Zn8M + passivation	20		21.0	30.0	1.9	2.10	2.8	250	5.066
436 700 452 050	blackened Zn8M + passivation	22	7/8"	23.0	33.0	1.9	2.30	3.0	100	6.117
438 000 452 150	blackened Zn8M + passivation	24		25.6	36.0	2.4	2.70	3.4	100	8.865
400 974 401 260	blackened Zn8M + passivation	25,4	1"	38.0	27.0	2.5	2.95	3.4	100	10.580
440 400 452 350	blackened Zn8M + passivation	27		28.6	39.0	2.4	2.80	3.5	100	9.731
441 600 452 450	blackened Zn8M + passivation	30	1 1/8"	31.6	45.0	2.4	3.05	3.8	100	14.380
442 801 401 051	blackened Zn8M + passivation	36	1 3/8"	38.0	54.0	3.0	3.75	4.5	50	27.226

We would be glad to offer you safety washers type “VS” with different finish on request.

Our surfaces are Cr 6-free and comply with the EU “Old Car” (2000/53/EG) RoHS-(2002/95/CE) Directive as well as the WEEE Directive (2002/96/EC)